

Main features:

- Mercury free
- Economically priced
- Fail-safe
- Highly chemically resistant
- Switching current 1mA - 3A



SS2 W

Application:

- Wastewater pumping systems
- Industrial water tanks
- Rain water collection systems

Functions description:

The float switch is fixed to a point by its cable and follows the level. The built-in contact switches at about 5-15° below or above the fixed point

The exact switching point is dependent on the cable length between fixed point and float switch housing and the levels rate of change.

Technical Data:

Switching voltage:	4V - 250V AC; 4 - 30V DC
Switching current:	1mA - 3A
Switching element:	micro switch (combined gold contact), potential free changeover contact
Temperature range:	+1...+60°C
Operating pressure:	0,5bar
Assembly and switching angle:	The float switch is fixed to a point by its cable and follows the level.
Media density:	cable types 2, 3, 4, 5, 7: $\rho \geq 1\text{kg/dm}^3$ cable type 3 (oil resistant): $\rho \geq 0,9\text{kg/dm}^3$
Materials:	housing and screw connection: Polyethylene (PE-HD) oil resistant design screw connection= stainless steel 304
Cable:	TPK, PVC, oil resistant, acid resistant coated
Protection rate:	IP68



SS2 KW

Technical Data (continued):

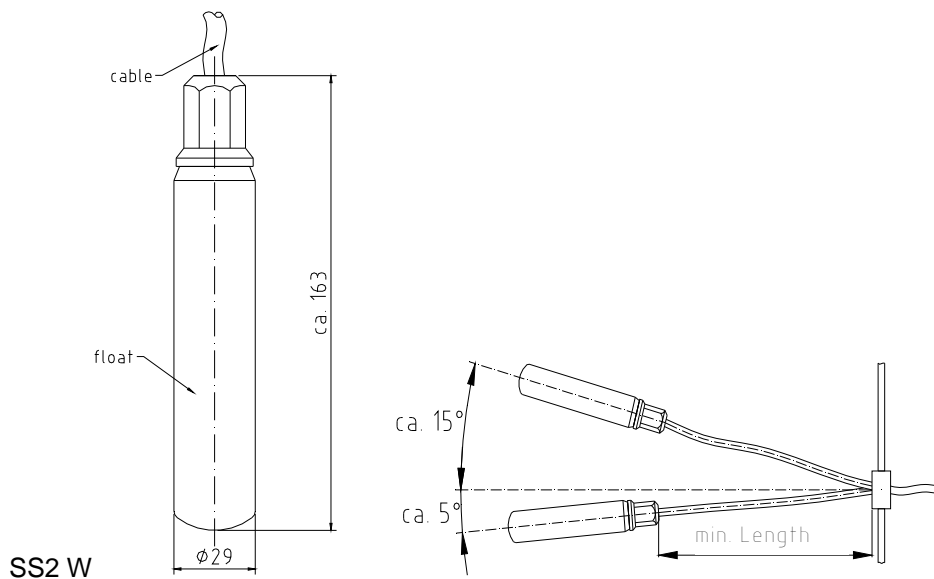
Chemical resistance (cable): TPK – water, alkalis and weak acids
 PES – acid resistant
 PVC – oil resistant

Note: The media has to be grounded at voltages above 50V!

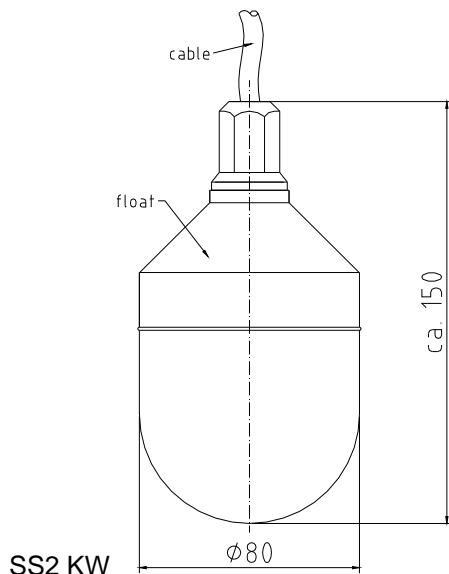
CE Mark:

In accordance with low-voltage directive (2006/95/EC) and EMC directive (89/336/ECC)

Dimensions:



SS2 W



SS2 KW

Note!

Min. length to fixed point:
 PES-cable = **100mm**
 All other cable types = **80mm**



Order information:

Float switch (cigar-shaped):

Article No.	Designation	Description
520 802	SS2 / W2	TPK, 2m cable
520 805	SS2 / W5	TPK, 5m cable
520 808	SS2 / W10	TPK, 10m cable
520 840	SS2 / WH2	PVC oil resistant, 2m cable
520 845	SS2 / WH5	PVC oil resistant, 5m cable
520 846	SS2 / WH10	PVC oil resistant, 10m cable
520 830	SS2 / WA2	TPK with acid resistant PES-coating, 2m cable
520 834	SS2 / WA5	TPK with acid resistant PES-coating, 5m cable
520 837	SS2 / WA10	TPK with acid resistant PES-coating, 10m cable

Additional cable lengths are available upon request

Float switch (pear-shaped):

Article No.	Designation	Description
520 810	SS2 / KW5	TPK, 5m cable
520 815	SS2 / KW10	TPK, 10m cable
520 844	SS2 / KWH5	PVC oil resistant, 5m cable
520 847	SS2 / KWH10	PVC oil resistant, 10m cable
520 832	SS2 / KWA2	TPK with acid resistant PES-coating, 2m cable
520 835	SS2 / KWA5	TPK with acid resistant PES-coating, 5m cable
520 838	SS2 / KWA10	TPK with acid resistant PES-coating, 10m cable

Additional cable lengths are available upon request

Accessories:

Article No.	Designation	Description
520 500	Gland G1"	PVC-version with Pg9-cable gland
520 510	Gland G½"	PVC-version with Pg9-cable gland
520 511	Gland G½"	PP-version with Pg9-cable gland
520 512	Gland G½"	PE-version with Pg9-cable gland
520 530	Gland G1"	brass-version with Pg9-cable gland
520 531	Gland G1"	PE-version with Pg9-cable gland
520 532	Gland G1"	PP-version with Pg9-cable gland